

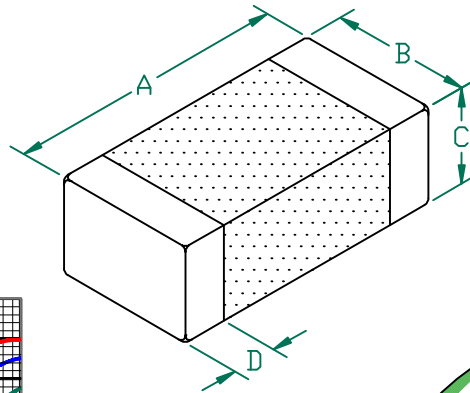


HI1206T500R-10

UNCONTROLLED DOCUMENT

PHYSICAL DIMENSIONS:

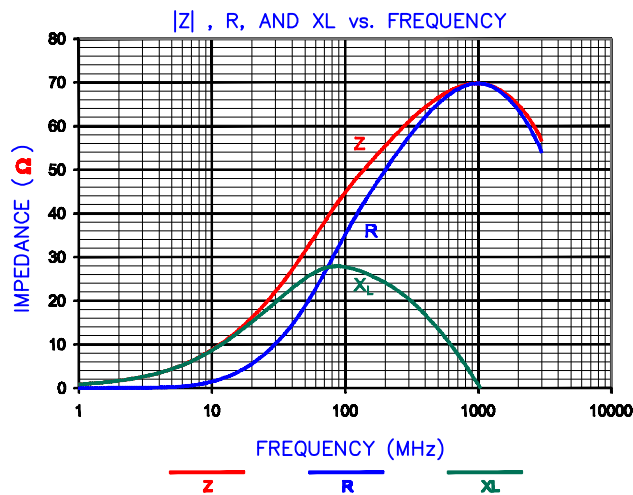
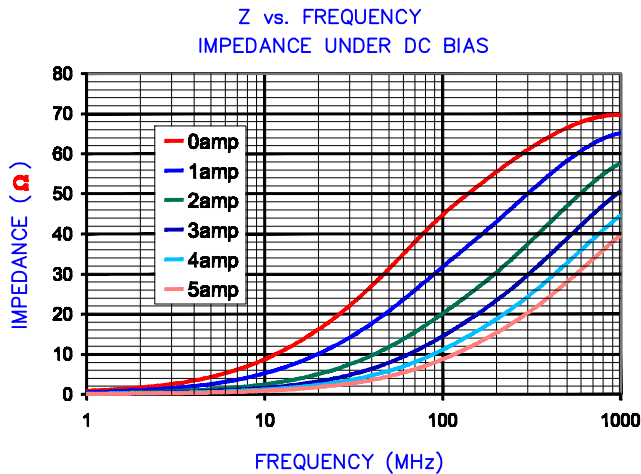
A	3.20 [.126]	+ 0.20 [.008]
B	1.60 [.063]	+ 0.20 [.008]
C	1.10 [.043]	+ 0.20 [.008]
D	0.51 [.020]	+ 0.25 [.010]



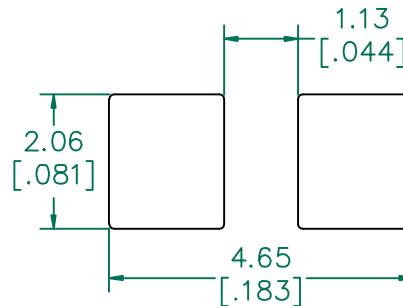
ELECTRICAL CHARACTERISTICS:			
Z @ 100MHz (Ω)	DCR (Ω)	Rated Current	
Nominal	50		
Minimum	38		
Maximum	63	0.010	6000 mA

NOTES: UNLESS OTHERWISE SPECIFIED

1. TAPED AND REELED per CURRENT EIA SPECIFICATIONS 7" REELS, 3000 PCS/REEL.
2. COMPONENTS SHOULD BE ADEQUATELY PREHEATED BEFORE SOLDERING.
3. TERMINATION FINISH IS 100% TIN.

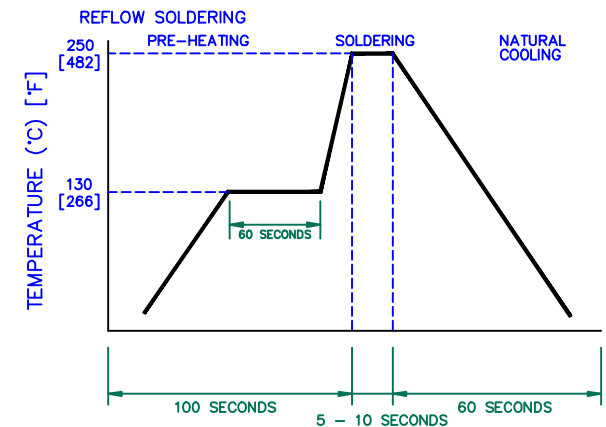


LAND PATTERNS FOR REFLOW SOLDERING



(For wave soldering, add 0.762 [.030] to this dimension)

RECOMMENDED SOLDERING CONDITIONS



DIMENSIONS ARE IN mm [INCHES]				This print is the property of Laird Tech. and is loaned in confidence subject to return upon request and with the understanding that no copies shall be made without the written consent of Laird Tech. All rights to design or invention are reserved.			
				Laird TECHNOLOGIES			
PROJECT/PART NUMBER:				REV	PART TYPE:	DRAWN BY:	
HI1206T500R-10				C	CO-FIRE	JRK	
C	UPDATE COMPANY LOGO & ROHS SYM.	01/17/08	JRK	DATE:	03/02/04	SCALE:	NTS
B	ADD ROHS SYMBOL AND NOTE 3	10/01/04	JRK	CAD #	HI1206T500R-10-C	TOOL #	-
A	ORIGINAL DRAFT	03/02/04	JRK				
REV	DESCRIPTION	DATE	INT	SHEET: 2 of 2			